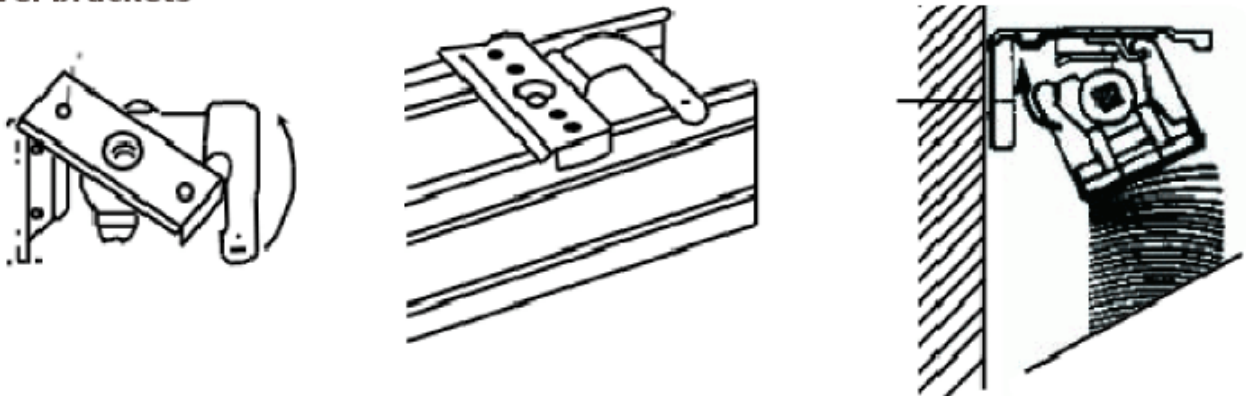




Fitting Instruction for Premium Wooden Blinds

Swivel brackets



The brackets provided should be installed approximately 75mm (3") from the ends of the blind, they can be top or face fixed. The remaining brackets should be equally spaced up to a maximum distance of 1500mm (59") apart. Always look in the top of the head rail, to make sure that the positions you fit the brackets will not be affected by any internal mechanisms. Make sure the swivel part of the bracket is in the open position and then offer the blind into the brackets as shown in the sketch. Push the swivels closed to lock the blind in place.

For more information or help with fitting your blinds please call (0)20 8805 8809 or email info@furnishingworkshop.com