

Venetian Blind

Fitting and Operating Instructions

Before attempting to fit your window blind,
please read the instructions carefully.

Venetian Blinds

In the interests of public safety it is advisable that one of the following public safety components is used when fitting a Venetian blind.

Cord Safety Tassel

Cord tassel will break apart when excessive force is exerted on the cord.

Cord & Chain Cleat

The cord and chain cleat is fixed to the side of the window recess and allows the cord or chain to be neatly wrapped around it, safely out of the reach of children.

Please use a **Child Safety Warning Tag** and attach to every finished blind.

With these instructions you will find sufficient brackets and wood screws to fit your blind. Look at the illustrations to decide which brackets have been supplied with your blind and follow the relevant instructions.

n.b. Your blind has been packed with the slats in the raised position. Do not release them before fitting the blind. However, any cords which are wound around the blind should be unwound before placing the blind into the brackets.

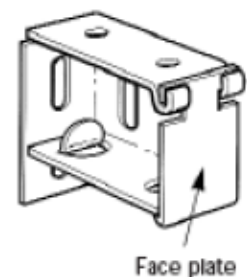
Fitting the blind

Universal end brackets

End fix box brackets can be screwed to the side, the top or the face of a wall or a window frame. Mark the positions of the brackets so that the distance between the outsides of the brackets is at least $\frac{3}{16}$ " (5mm) more than the width of the top of the blind. Remove the front face plates from the brackets and screw the brackets in place.

Slide the blind headrail into the brackets ensuring that ALL the slats are hanging below the brackets. Replace the front plates in the end brackets by locating the two projecting lugs into the top of the bracket and swinging the plate downwards to clip into the bottom of the bracket.

End fix bracket

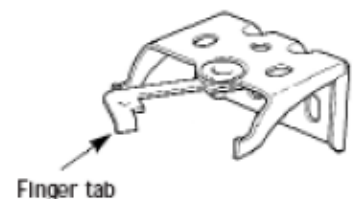
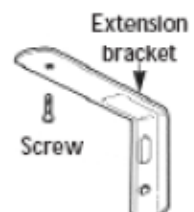
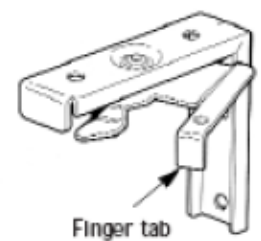


Face or top fixing brackets

If extension brackets have been supplied fit the other brackets to the underside of the extension brackets using the screws provided then follow the instructions shown opposite.

n.b. wooden blinds have a wooden headrail valance which must be lifted off the headrail before fitting the blind. It is held in place with Velcro tape.

These brackets can be screwed to the top or to the face of a wall or window frame. They should be spaced equidistantly along the width of the blind. Before selecting a fixing point ensure that the brackets will not cover any of the mechanism inside the blind. Brackets should be positioned to one side of any internal fitting.



After fixing the brackets pull the finger tabs to the centre of each bracket. Push the blind headrail upwards into the brackets and fold the finger tabs back towards the headrail so that they fit flush with the front of the headrail.

Concealed top fix bracket

n.b. Great care should be taken when using this bracket as the blind cannot be removed very easily once it has been fixed into position.

The bracket screws directly to a horizontal surface above the blind location. Brackets should be fitted with screws, which are at least $\frac{9}{16}$ " (15mm) from a wall or window frame.

Fit two brackets with the screws provided from either end of the headrail. Additional brackets, if supplied, should be fitted equidistantly between the end brackets. When positioning the brackets great care must be taken to ensure that they do not cover any part of the mechanism. The projections on the brackets must be positioned so that they engage with the lips on the headrail.

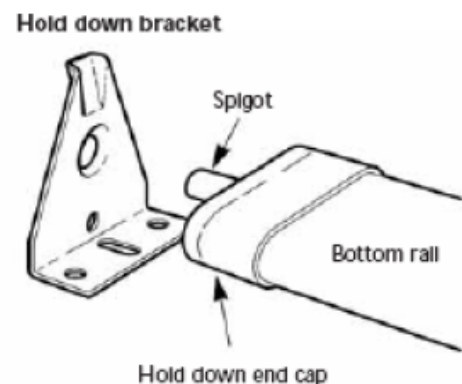


After fitting the brackets push the headrail upwards so that the legs of the brackets are inside the headrail. Continue to push the headrail upwards until the projecting lugs lock firmly into the headrail.

Hold down bracket

The hold down bracket can be screwed into the windowsill or to the side.

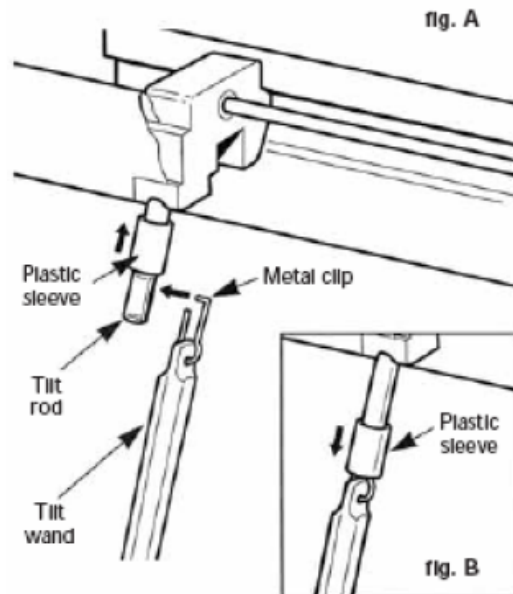
Lower the blind to its full extent and place the hold down brackets over the spigot on the end caps so that the bottom rail of the blind can turn freely. Mark the position of the brackets and move the bottom rail to one side so that it is clear of the brackets and screw them into place. Spring the brackets outwards and clip the end caps into the holes in the brackets.



Blinds fitted with a tilt wand

The tilt wand may have been fitted to your blind during manufacture. If not, proceed as follows: -

Take the plastic sleeve and push it over the tilt rod which projects from the headrail so that it is above the slot in the tilt rod (fig. A). Insert the metal clip into the hole in the end of the loose tilt wand. The round part of the clip should be located in the hole. Now slide the open end of the clip sideways into the slot in the tilt rod. The straight section at the top of the clip must locate in the hole at the top of the slot. Pull the sleeve downwards to hold the clip in position (fig. B).



Adjusting the blind drop

A short length of ladder braid has been left at the bottom of the blind in case you wish to adjust the finished length. Lift up the slat, which covers the bottom rail of the blind to make the necessary adjustments. Any remaining braid can be trimmed off and the ends concealed inside the bottom rail.

Operating the blind

Caution: the slats should only be tilted when the blind is at its lowest point i.e. fully extended. Furthermore the blind should be raised or lowered only when the slats are horizontal i.e. fully open.

Tilting the slats

To tilt the slats on a blind fitted with a tilt wand, rotate the wand either clockwise or anticlockwise until the desired position is obtained. If the blind has tilt cords, pull one cord to tilt the slats and the other one to reverse the action.

Adjusting the level of the slats.

To raise and lower the blind pull the lift cords towards the centre of the blind to release the cord lock. Adjust the blind to the required level and move the cord to the outside of the blind to lock the cords in position.

For more information or help with fitting your blinds please call (0)20 8805 8809 or email info@furnishingworkshop.com